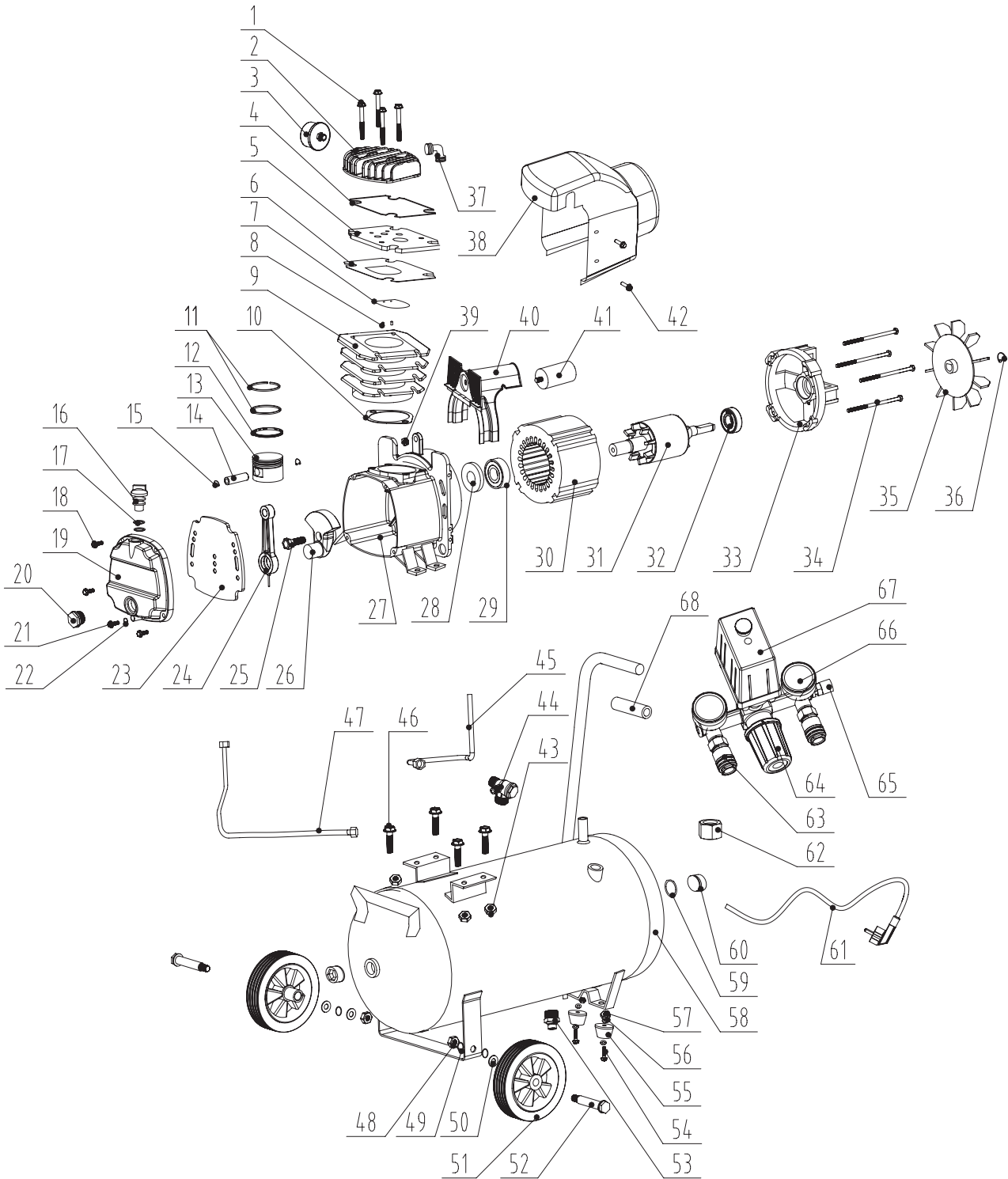




TECHNICAL DRAWING
HL 325-50

REF. NO.: 36832



**36832 PART LIST**

REF. NO.: 36832

NO.	Designation	Code SKU	Qty
1	Boltm8x105		4
2	Cylinder head	36832002	1
3	Air filter	36843039	1
4	Cylinder seals	36843003	1
5	Valve plate	36832005	1
6	Valve plate gasket	36832006	1
7	Valve clack	36852006	1
8	Pin \varnothing 3 x 6	36843007	2
9	Cylinder \varnothing 48	36832009	1
10	Cylinder gasket	36840010	1
11	Piston ring	36852012	2
12	Piston oil-ring	36852013	1
13	Piston	36852014	1
14	Piston pin	36852015	1
15	Circlip \varnothing 12		2
16	Oil plug	36840016	1
17	O circlip \varnothing 18.3 X 2.65		2
18	Bolt m5x16		4
19	Crank case cover	36840019	1
20	Oil leveler	36840020	1
21	Bolt m6x10		1
22	O circlip \varnothing 5.6 X 1.8		1
23	Rubber gasket	36840023	1
24	Conncting rod	36843015	1
25	Hex bolt m8x22(left)		1
26	Crank	36840026	1
27	Crank case		1

**36832 PART LIST**

REF. NO.: 36832

NO.	Designation	Code SKU	Qty
28	Sealing ring	36840028	1
29	Brearing 6204	36840029	1
30	Stator		1
31	Rotor		1
32	Brearing 6202		1
33	Motor cover		1
34	Bolt m5x105		4
35	Wind leaf	36840035	1
36	Circlip \varnothing 14		1
37	Connector	36852046	1
38	Fan cover	36840038	1
39	Nut m8		1
40	Flap		1
41	Capacitor	36832041	1
42	Bolt m5x12		4
43	Nut m8		4
44	Non return valve	36852080	1
45	Release pipe \varnothing 6.5	36843061	1
46	Bolt m8x25		4
47	Delivery pipe \varnothing 10	36832047	1
48	Nut m10		2
49	Spring \varnothing 10		2
50	Washer \varnothing 10		2
51	Wheel	36843065	2
52	Wheel shaft		2
53	Condensate drain	4336314	1
54	Bolt m8x30		2
55	Washer foot	36843072	2

**36832 PART LIST**

REF. NO.: 36832

NO.	Designation	Code SKU	Qty
56	Flat mat		4
57	Nut m8		2
58	Tank	36856058	1
59	Rubber mat	36843072	2
60	Stem rp1/2		2
61	Powr cord		1
62	Nut rp1/2		1
63	Quick answer	36843079	2
64	Pressure regulating valve	36843078	1
65	Safety valve	363814	1
66	Pressure gauge	4345217	2
67	Pressure switch	36840-R	1
68	The handle set		1
	Complete pump unit	368320U	1
	Complete set of wheels with feet and screws - 50 liter tank	368430WS	1